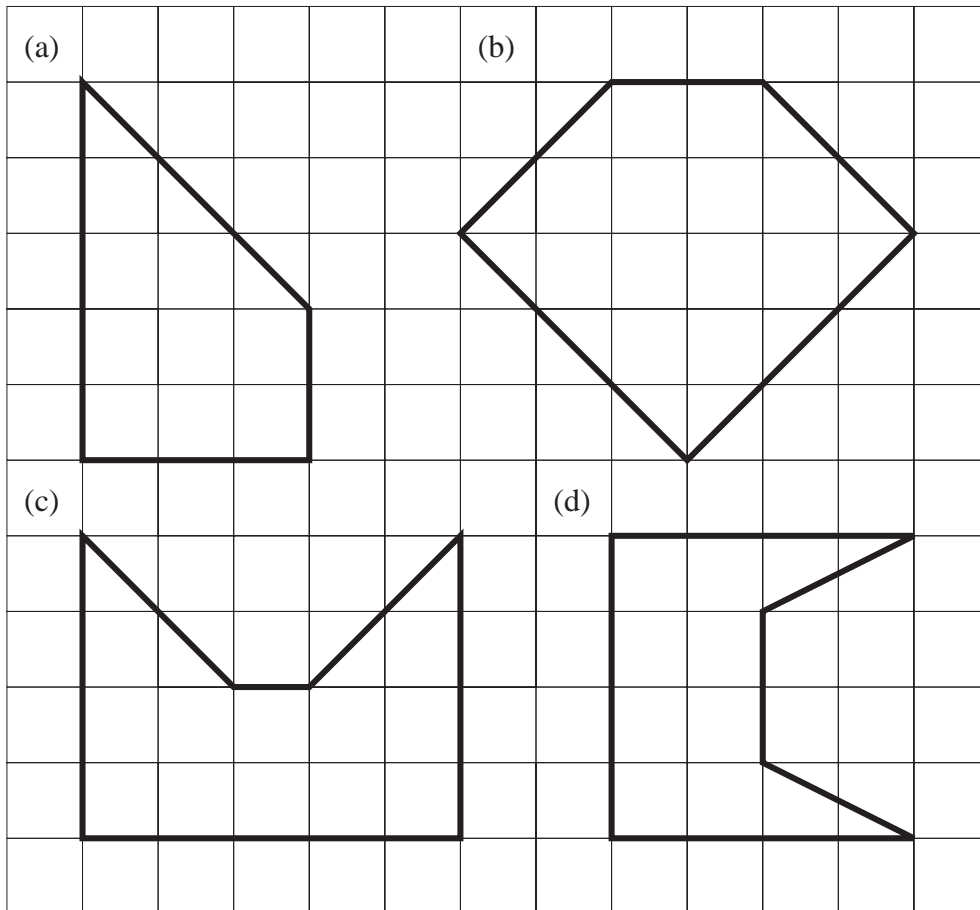


UNIT 9 Areas and Perimeters

Extra Exercises 9.1

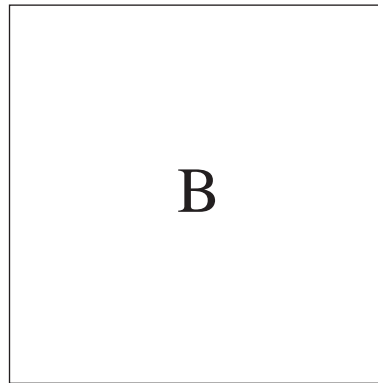
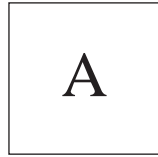
1. Find the area of each of these shapes by counting squares.



2. Find the area of your foot by drawing round it on squared paper.

UNIT 9 *Areas and Perimeters***Extra Exercises 9.2**

1.

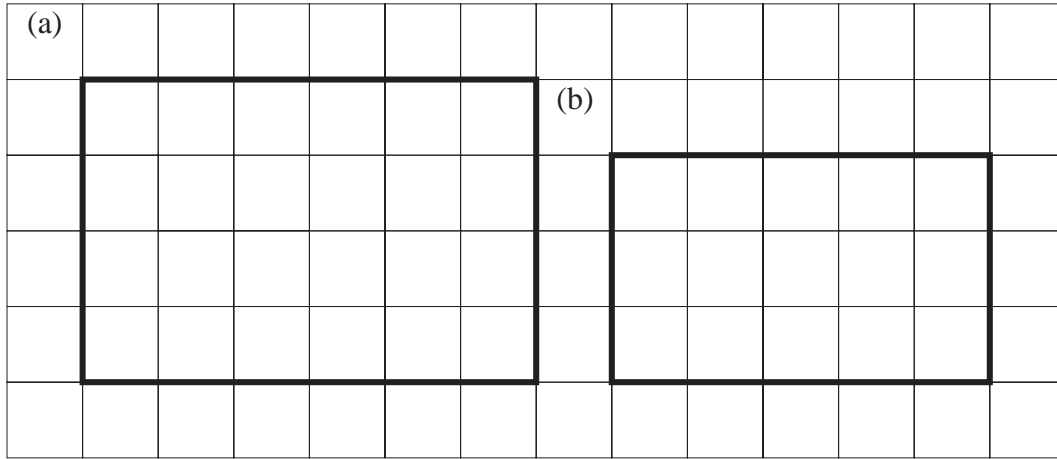


- (a) Find the area of each of these squares in cm^2 and mm^2 .
- (b) Find the perimeter length of each of these squares in cm and mm.
2. Find the area of the squares with sides of length:
- (a) 6 cm (b) 11 cm (c) 14 cm (d) 16 cm.
3. Find the perimeter length of squares with sides of length:
- (a) 12 cm (b) 17 cm (c) 14 cm (d) 16 cm.

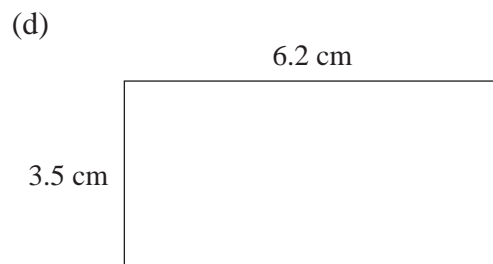
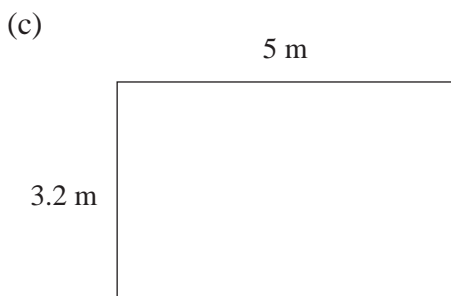
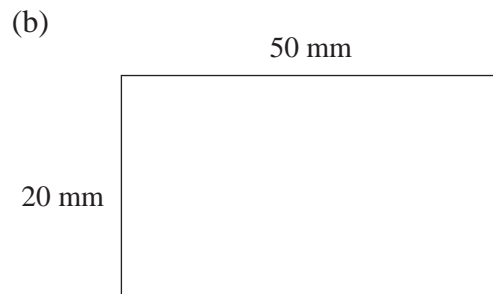
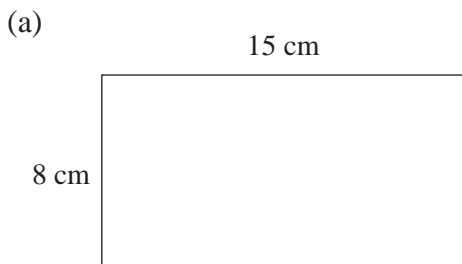
UNIT 9 Areas and Perimeters

Extra Exercises 9.3

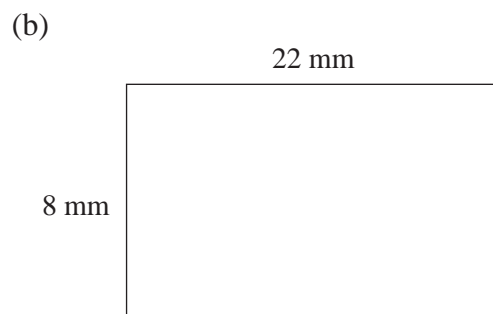
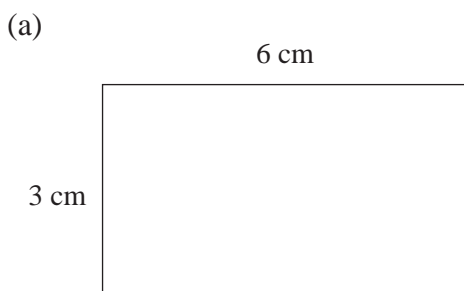
1. Find the area and perimeter length of each of these rectangles:



2. Find the area, in suitable units, of each of these rectangles:



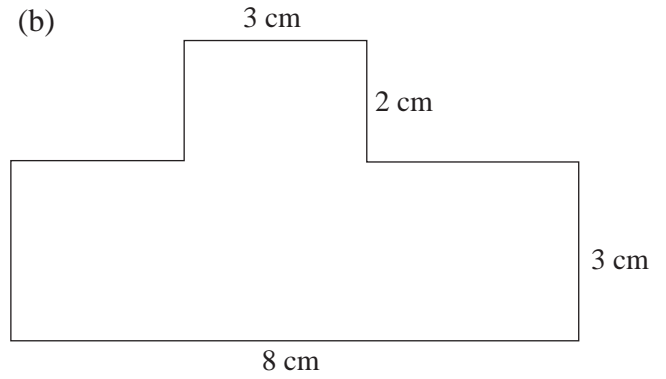
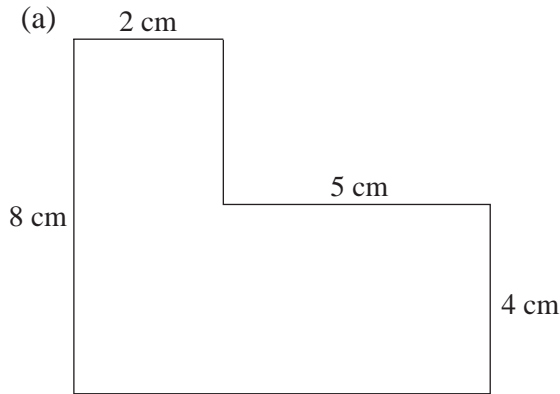
3. Find the area of each of these rectangles in cm^2 and mm^2 :



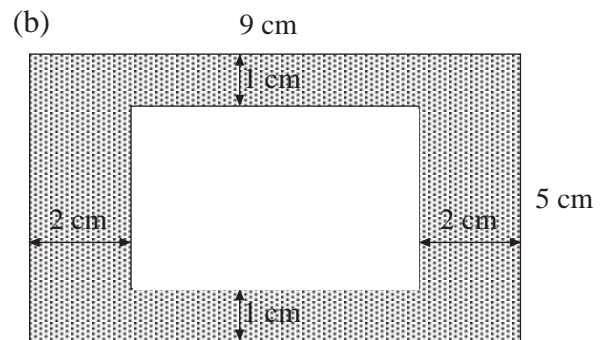
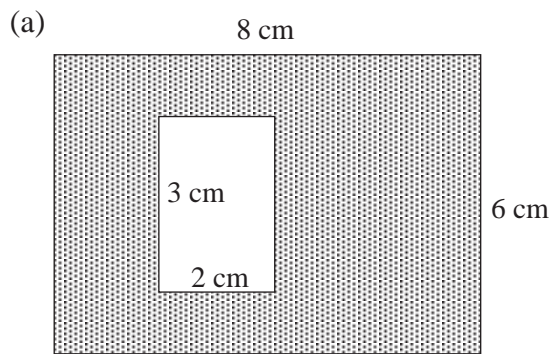
UNIT 9 Areas and Perimeters

Extra Exercises 9.4

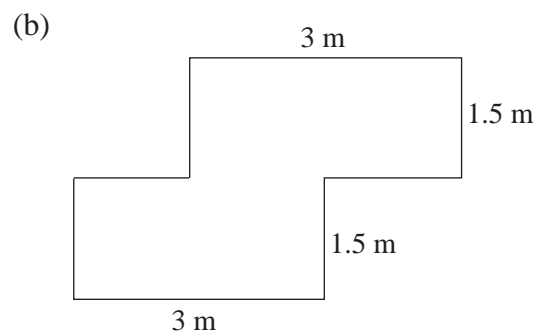
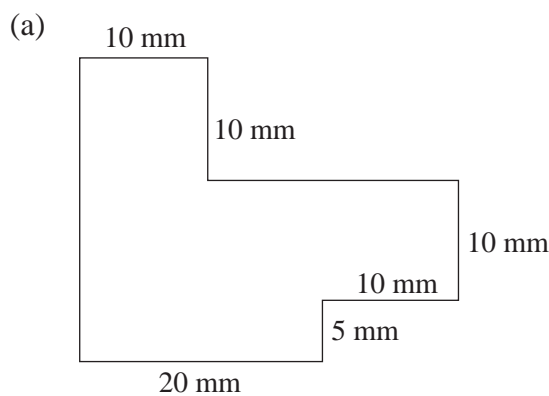
1. Find the area and perimeter length of each of these shapes:



2. Find the area of the shaded part in each diagram:



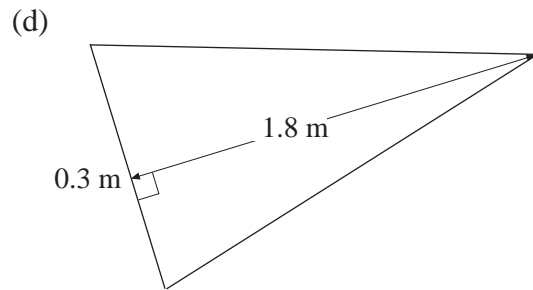
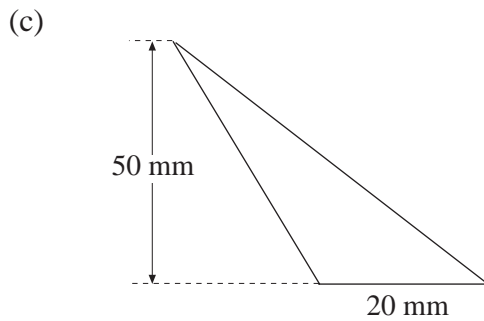
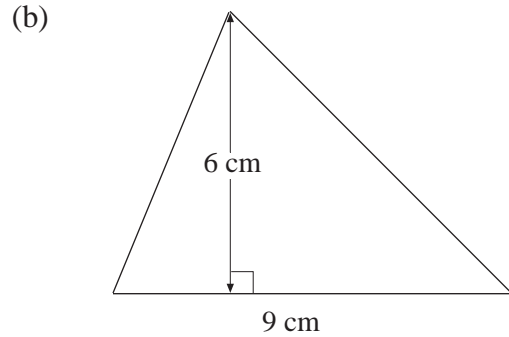
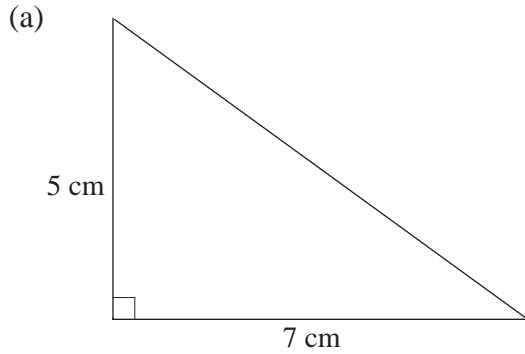
3. Find the area, in suitable units, of each of these shapes:



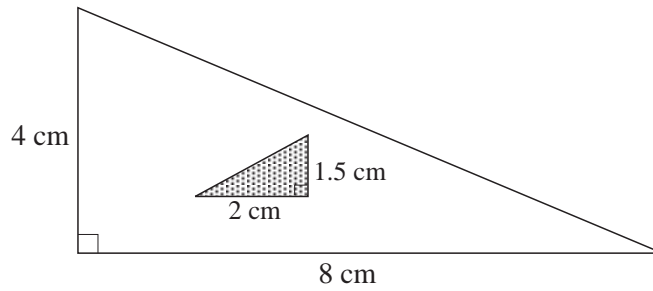
UNIT 9 Areas and Perimeters

Extra Exercises 9.5

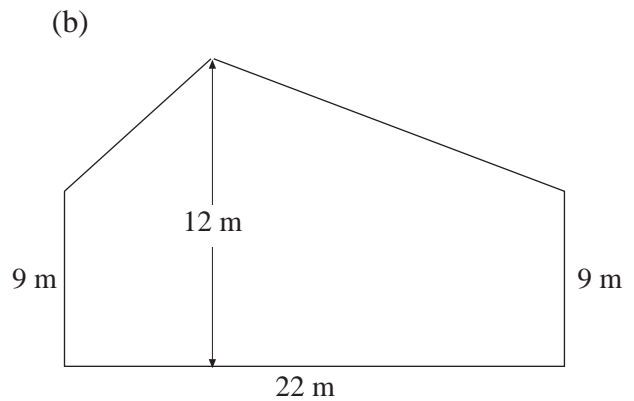
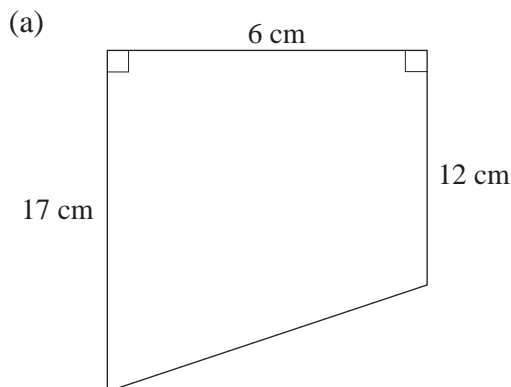
1. Find the area of each of these triangles:



2. Find the area of the *unshaded* part of this diagram:



3. Find the area of each shape below:



Extra Exercises 9.1

Answers

1. (a) $10\frac{1}{2}$ square units
(b) 17 square units
(c) 14 square units
(d) 10 square units

Extra Exercises 9.2

Answers

1. (a) A : 4 cm^2 , 400 mm^2 ; B : 25 cm^2 , 2500 mm^2
(b) A : 8 cm, 80 mm B : 20 cm, 200 mm
2. (a) 36 cm^2
(b) 121 cm^2
(c) 196 cm^2
(d) 256 cm^2
3. (a) 48 cm
(b) 68 cm
(c) 56 cm
(d) 64 cm

Extra Exercises 9.3

Answers

1. (a) 24 cm^2 , 20 cm
(b) 15 cm^2 , 16 cm

2. (a) 120 cm^2
(b) 1000 mm^2
(c) 16 m^2
(d) 21.7 cm^2

3. (a) 18 cm^2 , 1800 mm^2
(b) 1.76 cm^2 , 176 mm^2

Extra Exercises 9.4

Answers

1. (a) (a) 36 cm^2 , 30 cm
(b) 30 cm^2 , 26 cm
2. (a) 42 cm^2
(b) 30 cm^2
3. (a) 500 mm^2
(b) 9 m^2

Extra Exercises 9.5

Answers

1. (a) $17\frac{1}{2} \text{ cm}^2$

(b) 27 cm^2

(c) 500 mm^2

(d) 0.27 m^2

2. 14.5 cm^2

3. (a) 87 cm^2

(b) 231 m^2

Extra Exercises 9.6

Answers

1. (a) isosceles ; $a = 80^\circ$, $x = 8$ cm, (b) equilateral ; $a = 60^\circ$, $x = 5$ cm, $y = 5$ cm
(c) isosceles ; $a = 80^\circ$, $x = 4$ cm (d) scalene ; $a = 15^\circ$
2. (a) 44° (b) 25° (c) 61° (d) 44°
3. (a) 116° (b) 111°