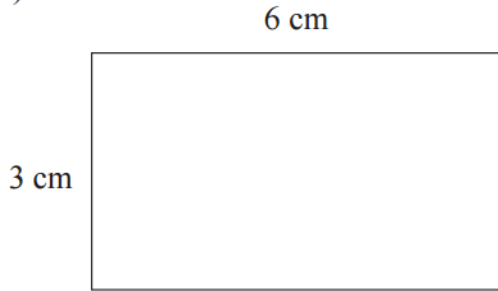


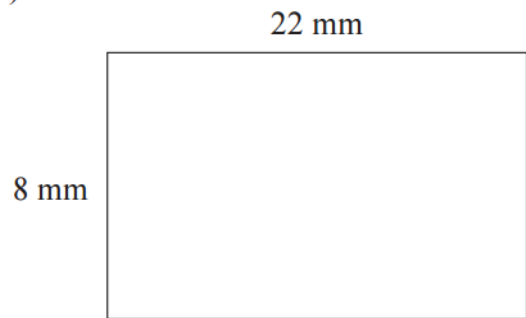
Area, Perimeter, Volume Revision

- 1) Find the perimeter of a square with area of 49cm^2
- 2) Find the area of a square with perimeter of 52m
- 3) A rectangle has an area of 56cm^2 and one side length is 7cm . Find its perimeter.
- 4) Find the area of each of these rectangles in cm^2 and mm^2 :

(a)

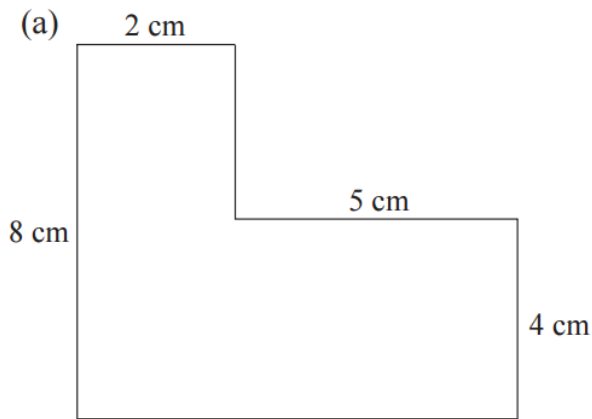


(b)

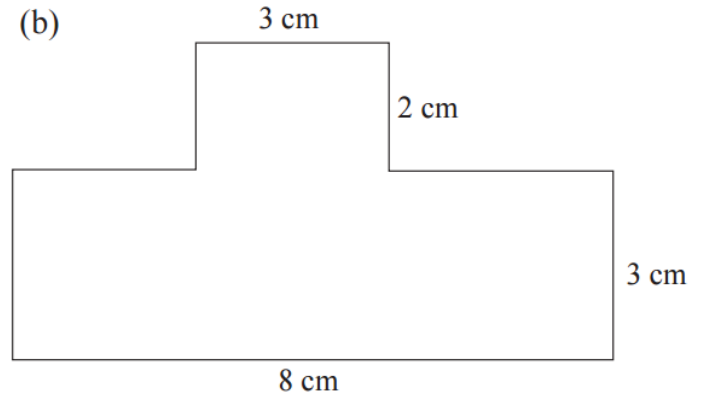


- 5) Find the area and perimeter length of each of these shapes:

(a)



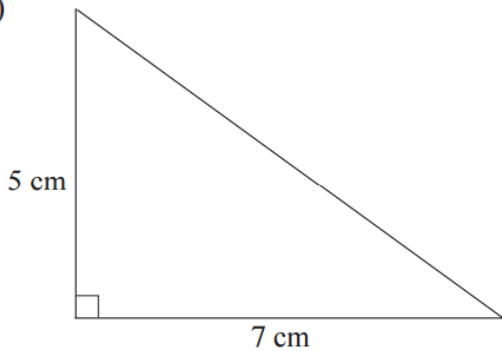
(b)



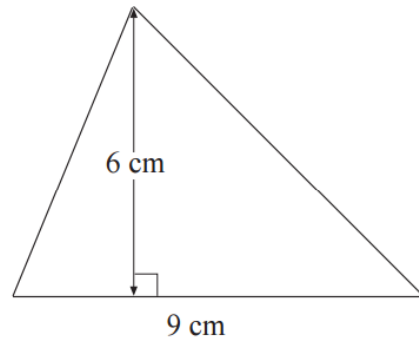
6)

- Find the area of each of these triangles:

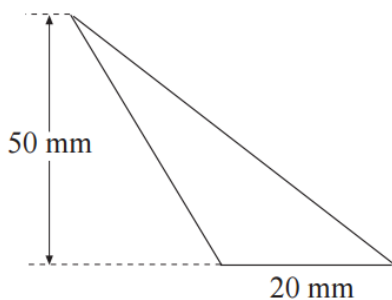
(a)



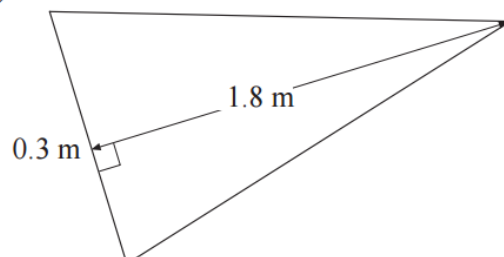
(b)



(c)

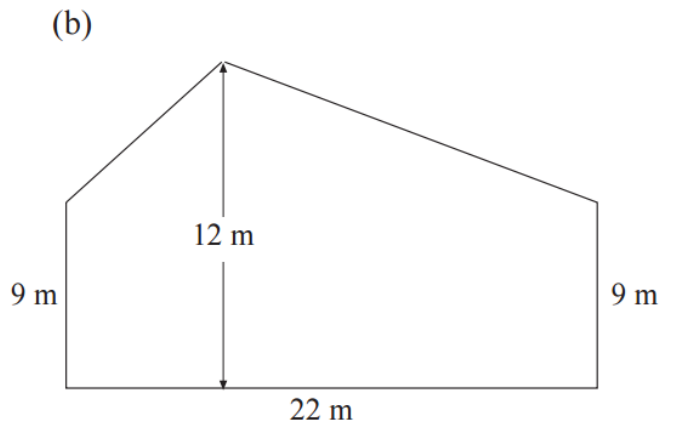
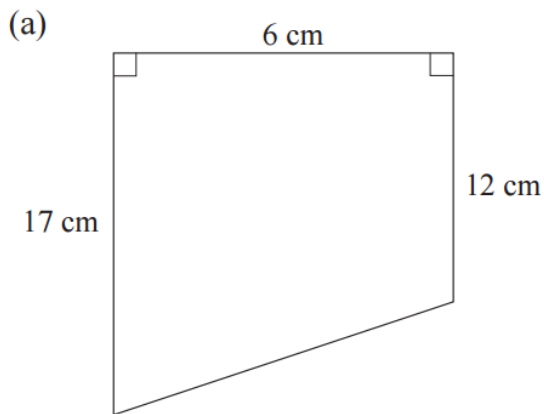


(d)



7) A triangle has an area of 36cm^2 and its base is 9cm long. Find its height.

8) Find the area of each shape below:

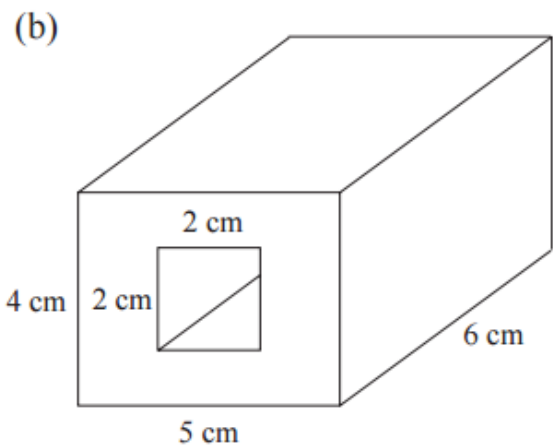
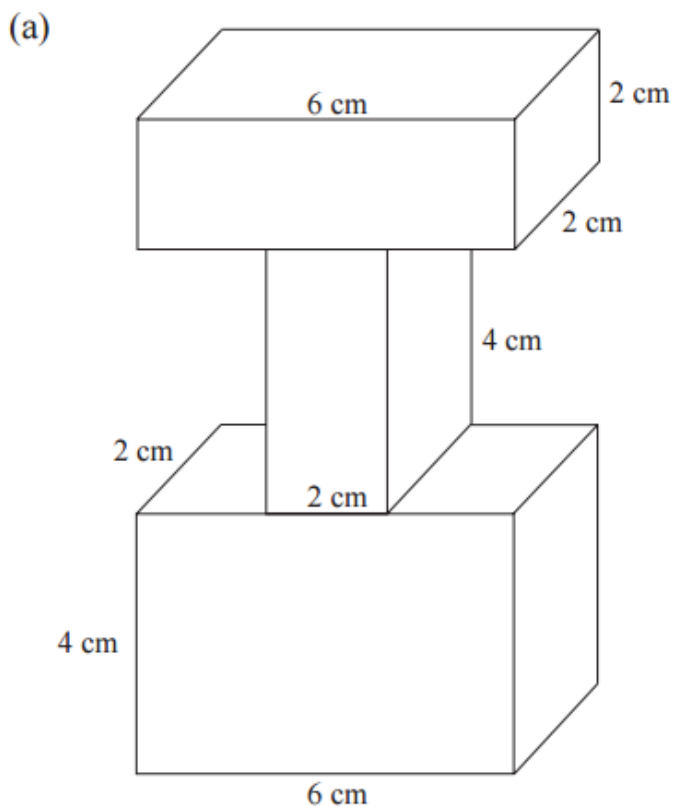


9) Calculate the volume of a cuboid with side lengths of 30cm , 40cm and 60cm .

Give your answer in:

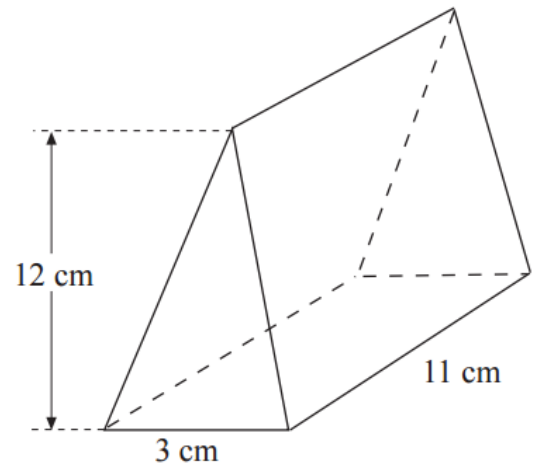
a) cm^3 b) m^3 c) litres

10) Calculate the volume of each of the shapes below:



11) I have a glass that can hold 200cm^3 of liquid. How many times can it be filled from a bucket containing 4 litres of water?

12) Calculate the volume of the triangular prism to the right:



Answers

1) 28cm 2) 169cm^2 3) 30cm 4a) 18cm^2 1800mm^2 b) 1.76cm^2 176mm^2

5a) $a=36\text{cm}^2$ $p=30\text{cm}$ b) $a=30\text{cm}^2$ $p=26\text{cm}$ 6a) 17.5cm^2 b) 27cm^2 c) 500mm^2

d) 0.27cm^2 7) 8cm 8a) 87cm^2 b) 231cm^2 9a) 72000cm^3 b) 0.072m^3 c) 72 litres

10a) 88cm^3 b) 96cm^3 11) 20 times 12) 198cm^3

Investigation

Find a connection between the areas of triangles like ABO and the coordinates of the two vertices A and B. The third vertex, O, is always at the origin, (0, 0).

